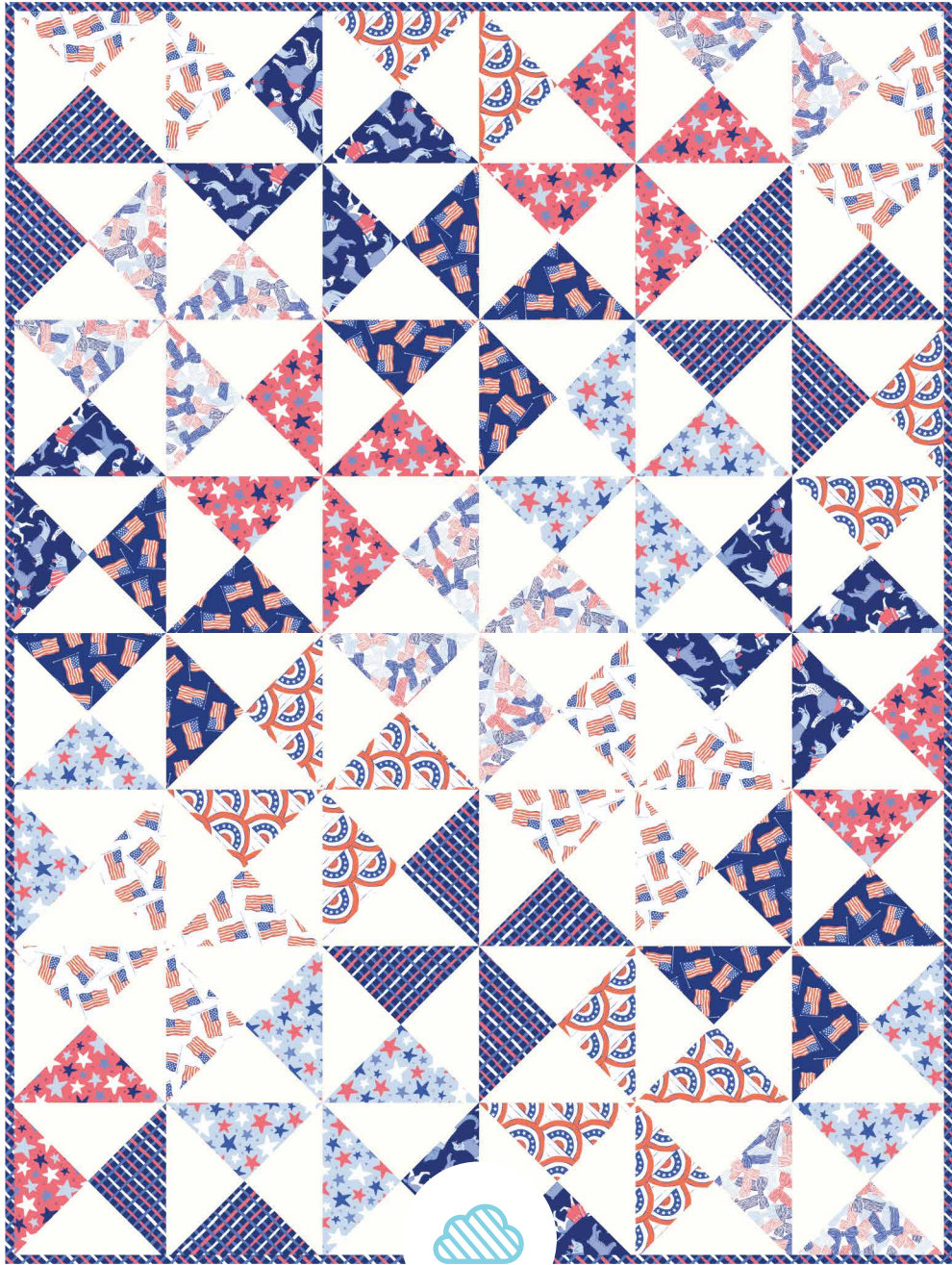

TWIRL QUILT PROJECT

Beginner friendly!

Featuring **STARS STRIPES & SUN** | *Krissy Mast*



CLOUD9
FABRICS

organic cotton. happy you. happy earth.

© CLOUD9 FABRICS 2023 | ALL RIGHTS RESERVED | CLOUD9FABRICS.COM | FOR PERSONAL USE ONLY

TWIRL QUILT PROJECT

SIZE: 45" x 60"

DESIGNER: Michelle Engel

TECHNICAL EDITOR: Linda Spiridon

This project uses 8 different fabrics

See chart below for fabric quantities

1 3/4 yd background fabric

1/2 yd binding

4 yds backing

Note: All possible care has been taken to assure the accuracy of this pattern. We are not responsible for printing errors or the manner in which individual work varies. Please read instructions carefully before starting the construction of this quilt. If desired, wash and iron your fabrics before starting to cut.

QUILT FACE MATERIALS

Cutting dimensions include 1/4" seam allowances.

WOF = Width of fabric selvedge to selvedge. Press seams as you go.

1/2 yard each of 8 different printed fabrics (see chart below)

6- 6 1/2" squares from FABRIC F

5- 6 1/2" squares from each FABRIC A, B, C, D, E, G & H

1- 6" square from each FABRIC A, B, C, D, E, G & H

From background fabric cut:

41- 6 1/2" squares

7- 6" squares

Use a solid fabric that is the same color on both sides and has no pattern



227828

FABRIC A



227827

FABRIC B



227826

FABRIC C



227824

FABRIC D



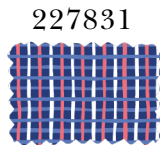
227823

FABRIC E



227825

FABRIC F



227831

FABRIC G



227829

FABRIC H



BACKGROUND FABRIC

BLOCK ASSEMBLY

1. Draw a diagonal line on the wrong side of all 6 1/2" background squares (fig 1)
2. To make HST select a 6 1/2" print fabric square and a 6 1/2" background square, lay right sides together and sew 1/4" on each side of diagonal line (fig 2)
3. Cut on diagonal line. (fig 3) Press seams toward printed fabric.
4. Square up blocks to 5 3/4". Use diagonal 45° line on the ruler to help center the block. You will use 12 HST's of FABRIC F to make 3 pinwheels, and you will use 8 HST's from each FABRIC A, B, C, D, E, G & H to make 14 pinwheels. Set the remaining HST's aside (there should be 14 HST's remaining)

fig 1

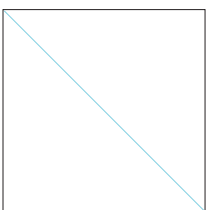


fig 2

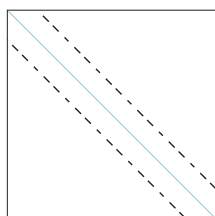
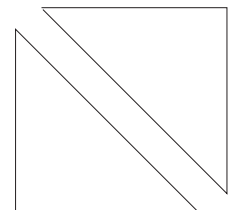
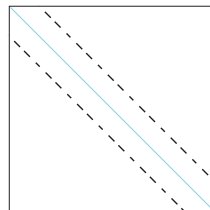
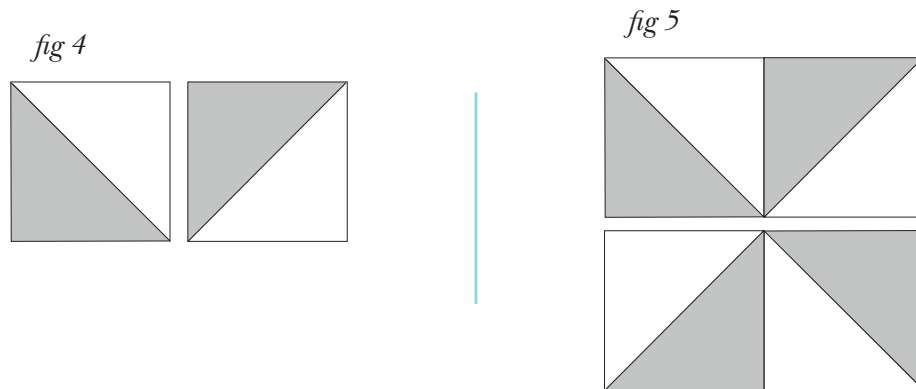


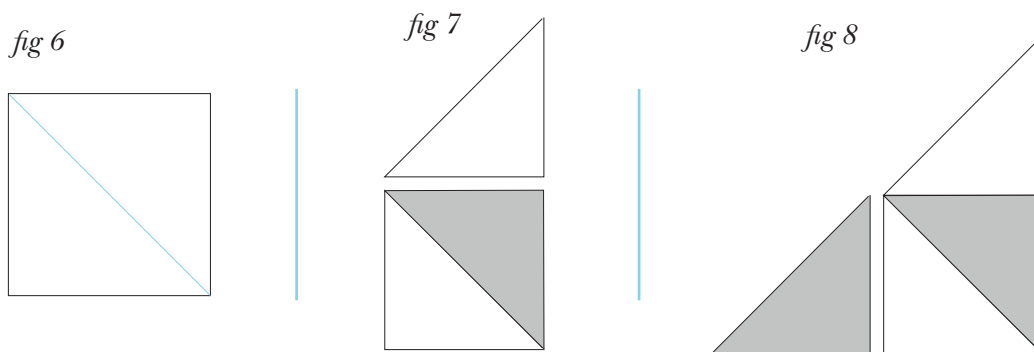
fig 3



5. To make pinwheels note the direction of HST's. Make all pinwheels going in the same direction. Sew two HST's of matching fabric together (*fig 4*)
6. Sew matching pairs together to complete the pinwheel (*fig 5*). Make 17 total.



7. Make half pinwheels needed for the top, bottom, and sides of quilt.
 - 7a. First, take the 6" print squares and 6" background squares and cut them once on the diagonal. (*fig 6*)
 - 7b. Use the remaining 14- 5 $\frac{3}{4}$ " HST's to make the half pinwheels.
 - 7c. Sew a background triangle to the print end of a HST (*fig 7*)
 - 7d. Sew a print triangle to the background side of the HST. Make 7 half pinwheels (*fig 8*)



8. Follow the quilt diagram for block layout. Sew quilt blocks in diagonal rows adding the half pinwheels on the beginning and end of rows.
9. Layer backing, batting & quilt top
10. Baste, quilt and bind

QUILT LAYOUT DIAGRAM

